

产品特点 Features

- ◇ 采用共模、差模双级滤波电路, 对低频到高频范围内的传导干扰具有非常优越的抑制特性。

Compact filters provide good attenuation performance in common mode high frequency. Two-stage filter circuit on both common mode and differential mode.

应用范围 Applications

适用于对电源电磁环境要求较高的场合, 如: 工业控制系统/医用设备等。

Applied in the fields with strict demands on EMC, such as industrial control system, medical devices telecom system and so on.



RoHS

技术参数 Specifications

型号 Model	端接方式 Terminals	额定电流 Rated Current	额定电压 Rated Voltage	工作频率 Frequency	测试电压 Test Voltage	最大漏电流 Leakage Current	气候类别 Climate	外形尺寸 Dimensions
C5NT-10A/20A		10A/20A	380VAC	50-400Hz	线-线 L-N 1700VDC/1min 线-地 L-G 1800VAC/1min	3.5mA @ 250VAC/50Hz	25/085/21	Fig1

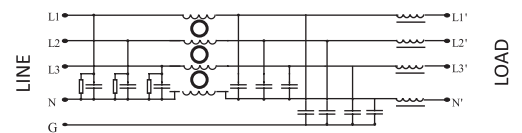
插入损耗 Insertion Loss

(按CISPR17在50/50Ω条件下测试)

(Measured in 50Ω system, as CISPR 17)

型号 Model	CM 共模 (dB) / 频率MHz							DM 差模 (dB) / 频率MHz						
	.01	.15	.50	1.0	5.0	10	30	.01	.15	.50	1.0	5.0	10	30
C5NT-10A	5	27	38	46	56	55	50	12	38	46	52	59	53	57
C5NT-20A	3	26	46	49	52	57	42	7	32	53	55	57	56	54

电路原理图 Circuit Schematics



外形尺寸 Dimensions

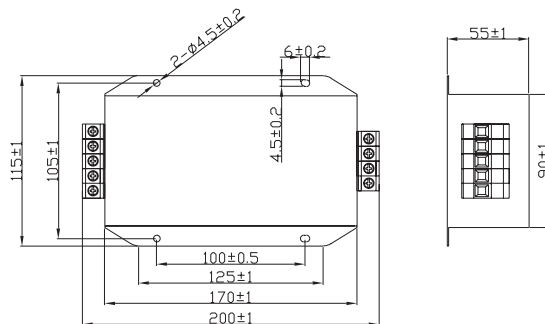


Fig1