

AC Three Phase High Performance Series

交流三相高效型

产品特点 Features

- ◇ 多级滤波电路, 优越的共模和差模干扰抑制性能;
Multi-stage filter circuit, excellent CM and DM attenuation performance;
- ◇ 匹配国内外多种低电压变频器和伺服驱动器。
Matching multiple low-voltage inverters and servo drivers.

应用范围 Applications

- ◇ 适用于三相变频器和伺服驱动器电机调速控制系统。
Three phase inverters and motor speed control system of servo drivers.

技术参数 Specifications

型号 Model	端接方式 Terminals	额定电流 Rated Current	变频器功率 Power (KW)	额定电压 Rated Voltage	工作频率 Frequency	测试电压 Test Voltage	最大漏电流 Leakage Current @ 250VAC/50Hz	气候类别 Climate	外形尺寸 Dimensions
CX1-K3MB-3A		3A	1.0	380/440 VAC	50/400Hz	线-线 L-N 1500VDC/1min 线-地 L-G 1500VAC/1min	≤5mA	25/085/21	Fig1
CX1-K3UT-6A		6A	1.5/3						Fig2
CX1-K3NT-10A		10A	5						Fig3
CX1-K3NT-15A		15A	7.5						Fig3
CX1-K3NT-20A		20A	10						Fig3
CX1-K3NT-30A		30A	15				Fig3		
CX1-K3TB-50A		50A	22				≤20mA		Fig4
CX1-K3YB-100A		100A	45				≤30mA		Fig5
CX1-K3YB-150A		150A	75						Fig5

RoHS



外形尺寸 Dimensions

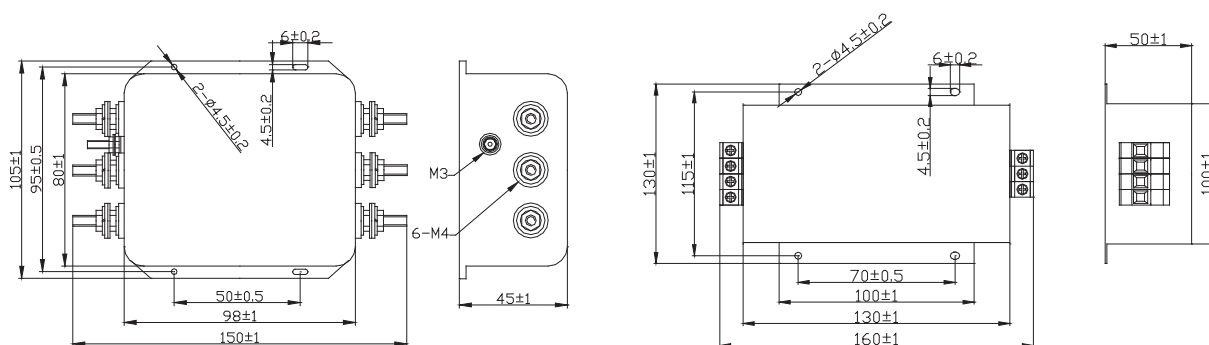


Fig1

Fig2

外形尺寸 Dimensions

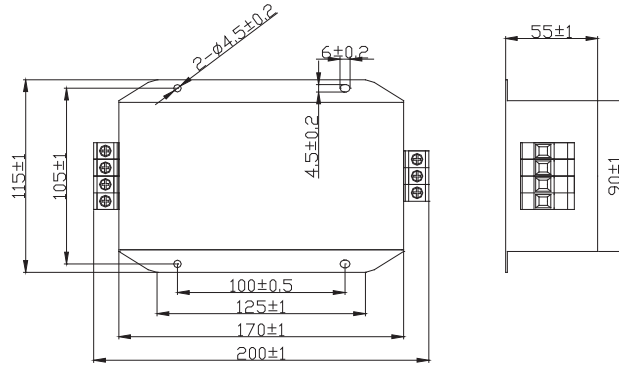


Fig3

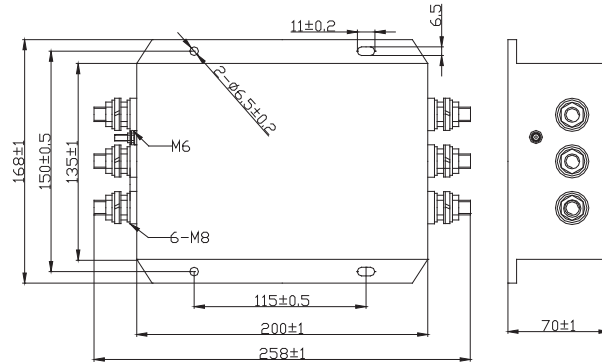


Fig4

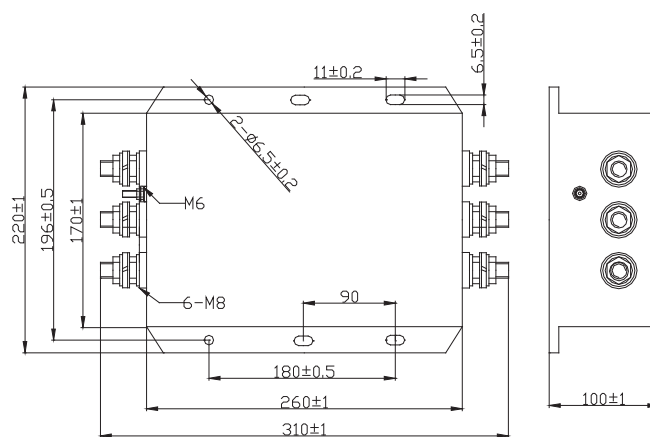


Fig5